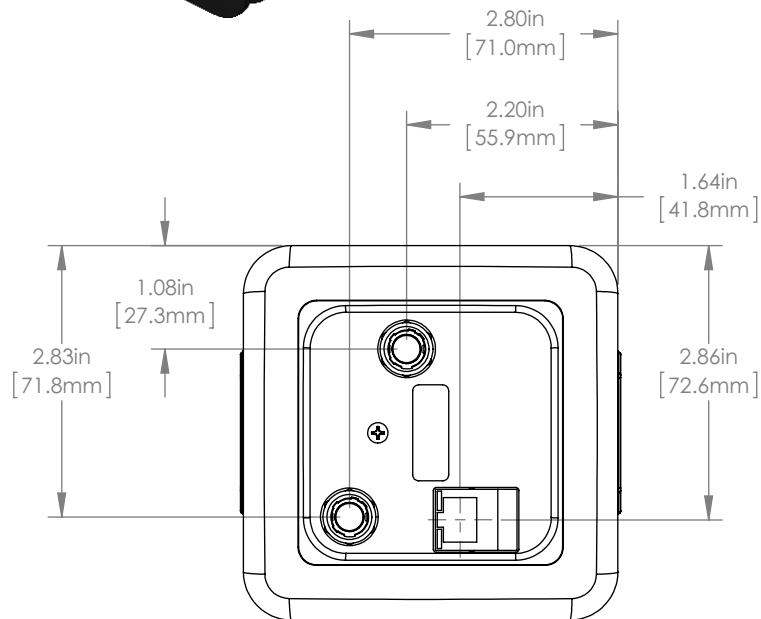
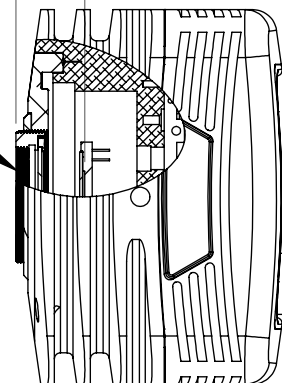


MAX. 0.76in
MIN. 0.68in
[19.2mm]
[17.2mm]
ADJUSTABLE
CCD IMAGE PLANE

1.000\"/>



REFER TO USERS MANUAL
FOR INTERCONNECT DETAILS

DRAWING PROJECTION

	NAME	DATE
DRAWN	J.O.	7/22/14
APPROVAL	M.P.	7/22/14

COPYRIGHT © 2014 BY THORLABS

VALUES IN PARENTHESIS ARE CALCULATED AND MAY CONTAIN ROUND OFF ERRORS

THORLABS
www.thorlabs.com

DIGITAL SCIENTIFIC CAMERA

MATERIAL	N/A	REV A
----------	-----	----------

ITEM #	APPROX WEIGHT
4070M-GE-TE	1.0 kg

FOR INFORMATION ONLY
NOT FOR MANUFACTURING PURPOSES

ROHS COMPLIANT